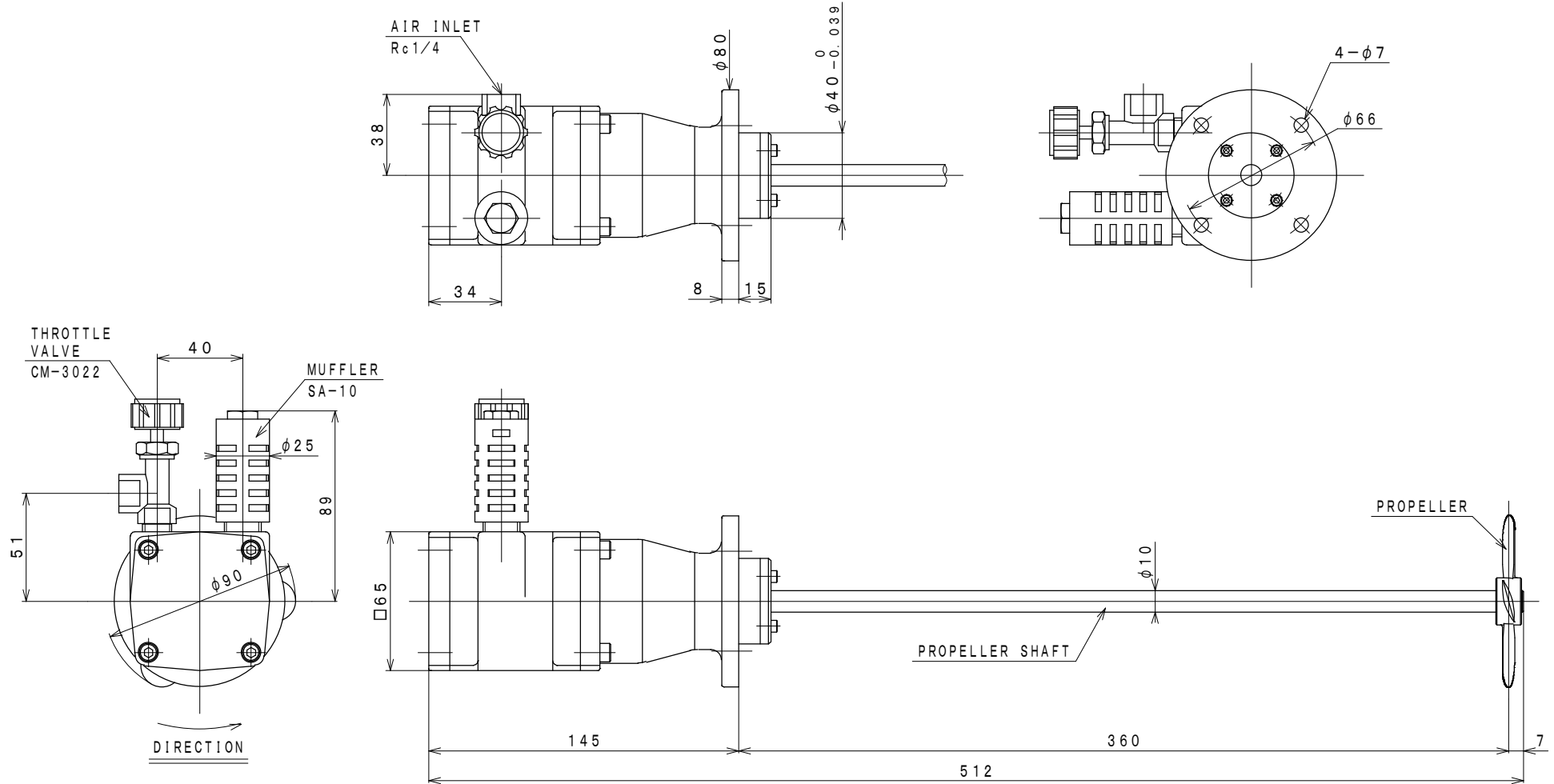


SIGN	REVISION	DATE	BY
△			



SPECIFICATION

AIR PRESSURE	AT MAXIMUM OUTPUT				LUBRICATING OIL	MASS
	OUTPUT	SPEED	TORQUE	AIR CONSUMPTION	AIR MOTOR (Line Oiler)	
(MPa)	(kW)	(rpm)	(N·m)	(Nm ³ /min)	JIS K2213-2 Turbine Oil ISO VG32 (Line Oiler Dripping Quantity:3~4 drop/min)	(kg)
0.6	0.25	470	5.02	0.32		about 2.1
0.5	0.19	430	4.18	0.25		
0.4	0.13	360	3.35	0.17		

Note. Minimum Pressure at No-Load Operation:0.15MPa

APPROVED	CHECKED	REVIEWED	DRAWN	PARTICULARS	OUTLINE DRAWING	DATE	Jul. 29. 2003
		M. M		MODEL	VF03B-09SS	NOTE	
					AGITATOR	Z96-097	
SAN-EI SEIKI SEISAKUSHO CO., LTD.					DWG. NO.	E303-128	SCALE 1/2